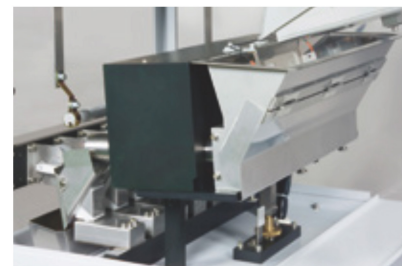


Load-cell Weigher

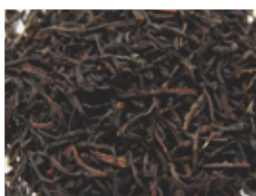
FW SERIES

This device can measure precise weights of leaf tea, herbs and fruits without damage!

- 2-stage speed for rotating pipe feeder and angle control unit enables weighing with accuracy.
- Enables easy operation with a touch panel and setting of 16 patterns of weight conditions.



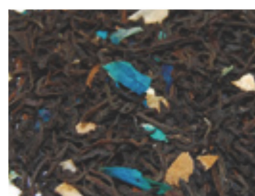
Back View



Leaf Tea



Herb



Flower



Fruits

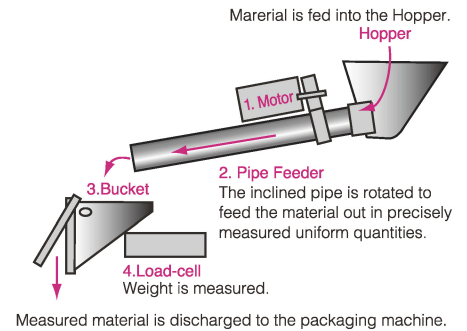
Specifications

Capacity	Max. 10 g (bucket capacity 50 cc)
Weighing System	Load-cell
Accuracy	+/- 0.15 g
Dimensions	715 (W) x 510 (D) x 1,000 (H)
Weight	102 kg
Power Supply *	Single-Phase / 100 V / 0.5 kW

	FW-100SA	FW-LSA
Weighing Speed (Max. times/min.)	100	50
Standard Accessories		
1. Stepping Motor	7 pcs	5 pcs
2. Pipe Feeder	7 pcs	5 pcs
3. Bucket	7 pcs	5 pcs
4. Load-cell	7 pcs	5 pcs
Packaging Machine (examples)	FP-100S / FP-80T FPG-SH / FPG-T1	FP-CS FP-50S

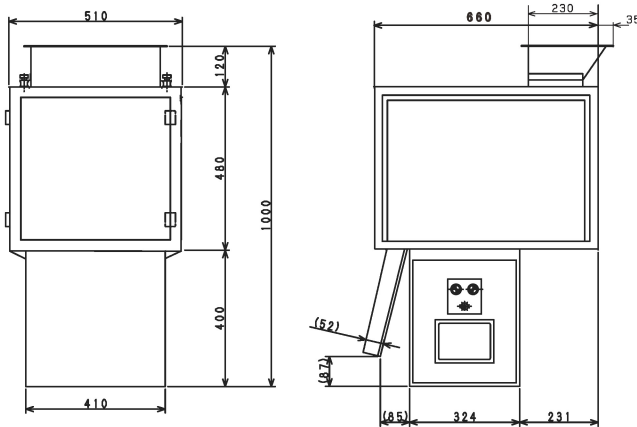
* Transformer for local voltage and dried compressed air to be prepared by the customer.

Weighing System



Layout

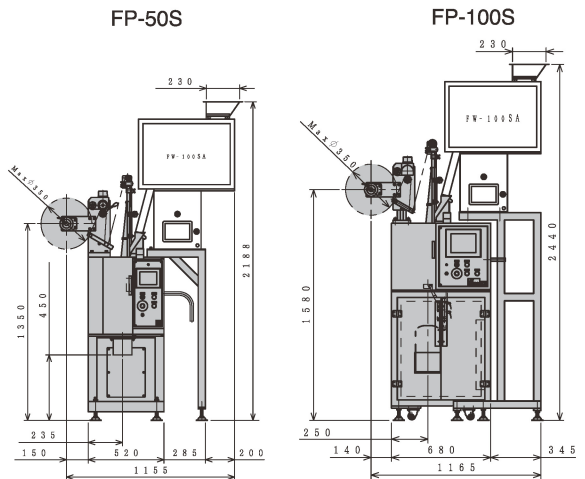
FW-Series



Light side view

Front view

FW-Series with tea bag packaging Machine



Front view