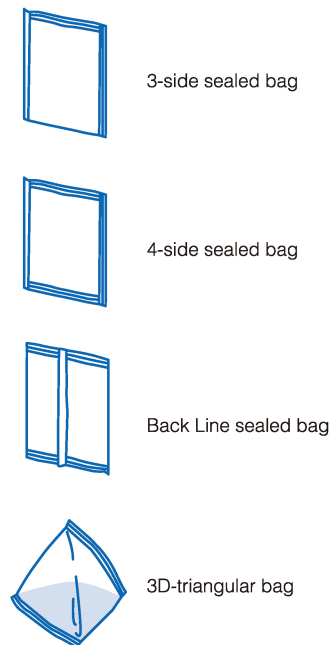


Compact Vertical 3-side Heat Seal Rectangular/Triangular Packaging Machine

# FVM SERIES

**This machine is the best solution for multiple packaging options and efficient production. The FVM series is compact, easy to operate, and has multiple sealing options.**

- 3D-triangular bags, envelope bags, 3-side sealed bags, 4-side sealed bags-all with one machine.
- Various filling and measuring options such as the auger filler, load-cell weigher, and rotary doser.
- Wide range of packaging sizes from 80 mm to 240 mm (width).
- Capacity up to 80 bags/min.



FVM-I with FW-100SA Scale System

## Specifications

Packaging Method	3-Side Heat Sealing
Packaging Materials	Paper, Laminated Film or Non-Woven Fabric and any suitable materials for heat sealing
Measurement Method	Standard: Rotary Doser Weighing Option: Load-Cell Weigher, Auger Filler
Filling Volume	10–35 CC (with Standard Doser) (Depends on package size and measurement method)
Feeding Pitch	55–150 mm
Filter Width	80–240 mm by 20 mm *need to change chute and sailor
Capacity	30–80 bags/min
Dimensions	1,275 (W) x 855 (D) x 1,810 (H) mm
Weight	450 kg
Power Supply *	3-Phase / 200 V / 4.0 kW
Compressed Air *	300 L/min. (6 bar)
CE Marking **	Not Available

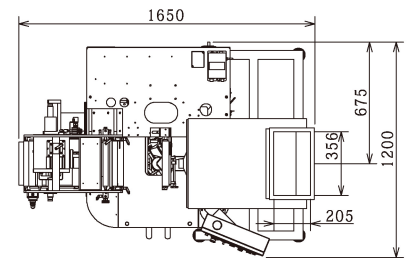
\* Transformer for local voltage and dried compressed air to be prepared by the customer.

\*\* Fail-safe design based on CE directive.

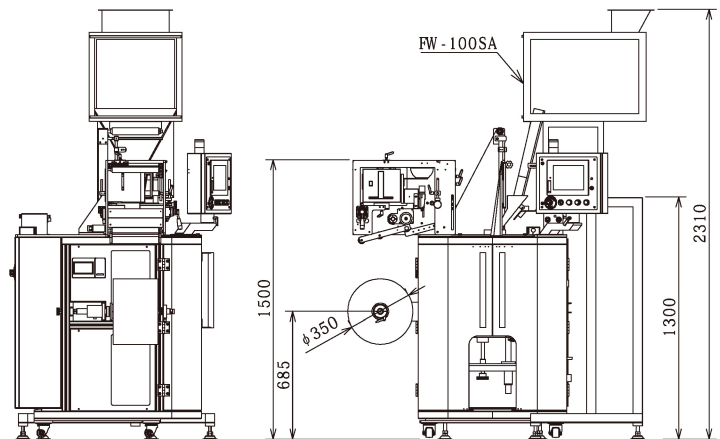
## Option

- Date printer
- Camera for date printer
- Multiply-linked enveloping device
- Zigzag lined cutter blade
- Nitrogen gas-filling device

## Layout



Top view



Left side view

Front view