

Vertical 3-side Heat Seal Packaging Machine

FSP-II

This heat sealing machine has the flexibility to pack a wide variety of products from tea bags to film sachets.



3-side heat sealing



Rectangular Tea Bag with Tag & String (heat sealed)



Rectangular Tea Bag (heat sealed)

- New developed weigher* enables you to produce precisely measured tea bags.
- Nitrogen gas-filling* prevents oxidation. Every single sachet can keep the taste and aroma fresh right before drinking.
(Both of weigher and Nitrogen gas-filling device are optional.)
- Capacity up to 100 bags/min.



Specifications

Packaging Method	3-Side Heat Sealing
Measurement Method	Standard: Slide Doser Weighing Option: Load-Cell Weigher, Auger Filler
Packaging Materials	Paper, Laminated Film or Non-Woven Fabric and any suitable materials for heat sealing
Filter Width	100–200 mm
Bag Size	Width: 50–100 mm Length: 40–120 mm
Capacity	50–100 bags/min.
Dimensions	670 (W) x 850 (D) x 1,770 (H) mm
Weight	340 kg
Power Supply *	3-Phase / 200 V / 2.2 kW
Compressed Air *	180 L/min. (6 bar)
CE Marking **	Not Available

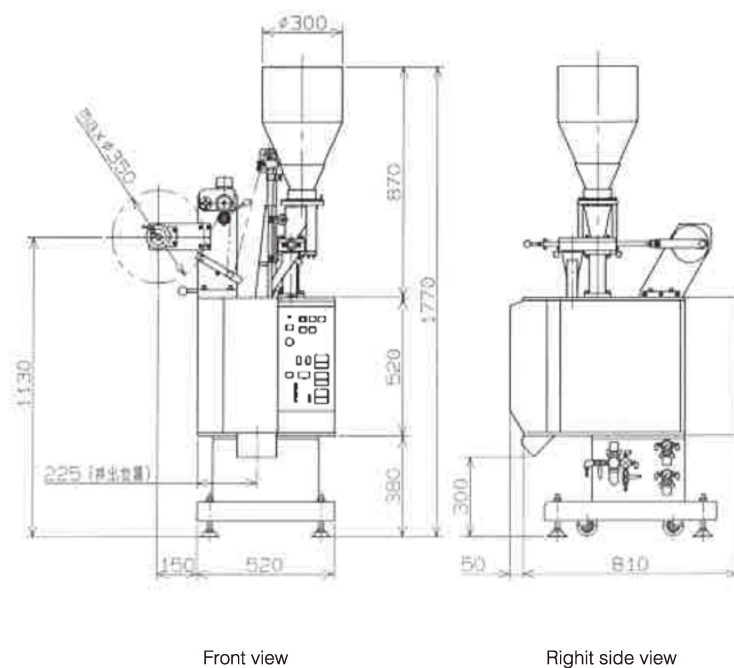
* Transformer for local voltage and dried compressed air to be prepared by the customer.
** Fail-safe design based on CE directive.

Option

- Weighing System (Load-Cell Weigher, Auger Filler etc.)
- Slide Doser Vibrator
- Nitrogen Gas-Filling Device
- Date Printer

Layout

■ FSP-II in Standard Specification



■ FSP-II with Load-Cell Weigher, FW-Series (Optional)

