

Pyramid Teabag Making Machine FP-CS

Pyramid Tea Bag ! MAX. 50 bags per Minute !

Features

- * Simple function! FP-CS is equipped with selected functions to produce teabags. (Non-CE model)
- * Easy to maintain, clean and to change parts.
- * Able to produce pyramid and rectangular shape teabag.
- * Packing capacity of max.3,000 bags per hour.
- * Easy to produce teabags using tagged filter material.



- *Optional load-cell weigher FW-LSA enable you to produce precisely scaled pyramid teabags.

Herbal Tea



Chinese Medicine



Green Tea



Black Tea



Fruit Tea



Leaf & Flower Tea




**The machinery shown above is FP-CS with optional weigher FW-LSA*

Pyramid Teabag Making Machine

FP-CS

Specifications

Shape	
Capacity	Max. 50 bags/min. (depends on material)
Packaging Method	3-side sealing and cutting by ultrasonic
Packaging Material	Nylon mesh, polyester mesh, NWF*, etc. Any suitable filters for ultrasonic sealing
Teabag Size	Pyramid: 50-80 mm (each edge) Rectangular: 50-80(L) x 40-80(W) mm
Feeding System	Volumetric slide doser
Dimensions	970(W) x 790(D) x 2050 (H) mm
Weight	320kg
Power Supply**	Electricity : 3P/200V/1.5kW (FP-CS) 1P/100V/0.5kW (FW-LSA) Compressed air: 250L/min. (6 bar)
Standard Accessories	<ul style="list-style-type: none"> • Auto-stop with alarm by: <ul style="list-style-type: none"> tag detector ultrasonic overload safety door interlock scale unit error inverter error/overtime production counter • Static electricity remover • Auto-tension control with dancer roll • Filter joint detector • LCD touch screen

*NWF: Non-Woven Fabric

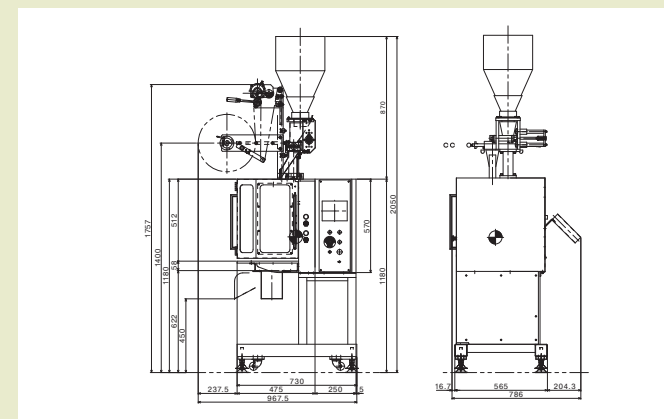
**Transformer for local voltage and dried compressed air to be prepared by customer.

Options

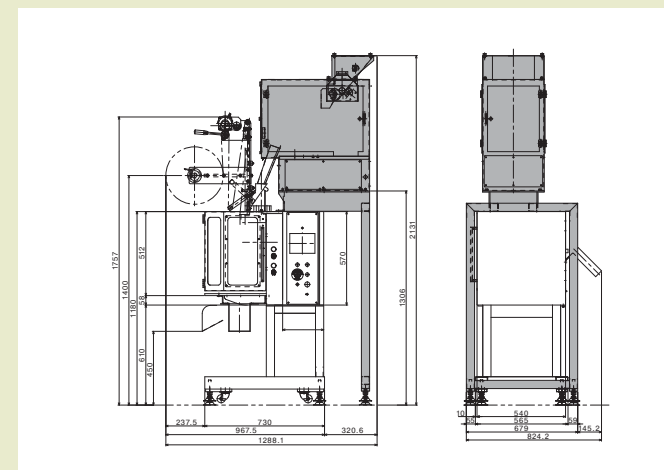
Spare parts set for FP-CS
Spare parts set for FW-LSA
Chute knocking device
Non-Woven Fabric device
Multiple feeding device for long bag
[Slide doser] Hopper Poking device
[Slide doser] Vibrator
Spare chute for nylon pyramid bag
Spare chute for NWF pyramid bag
Spare chute for rectangular bag

FW-LSA Load-cell weigher (5 channel)
[FW-LSA] Stand

Layout Dimensions



Model FP-CS in standard specification



Model FP-CS with weigher FW-LSA